

**STRADA**  
**Deddicai18**  
THE RACING TECHNOLOGY



**D**eddicci*ai*<sup>STRADA</sup>**18**  
THE RACING TECHNOLOGY

# CONTENTS

CARBON ROAD	SCURO25 <b>4</b>	RAN RS <b>10</b>	ATLETA <b>14</b>	VERTIGINE DB <b>20</b>	VERTIGINE <b>24</b>	GLADIATORE 2 <b>28</b>
METAL ROAD	TITANIO25 <b>32</b>	ACCIAIO ZERO25 <b>36</b>				
CRONO	FLASH 2 <b>40</b>					
CROSS	SUPERCROSS DB <b>44</b>					

# SCURO 25

THE BEST FRAME IN OUR HISTORY IS BACK WITH AN UPDATED DESIGN  
AND DISC COMPATIBILITY

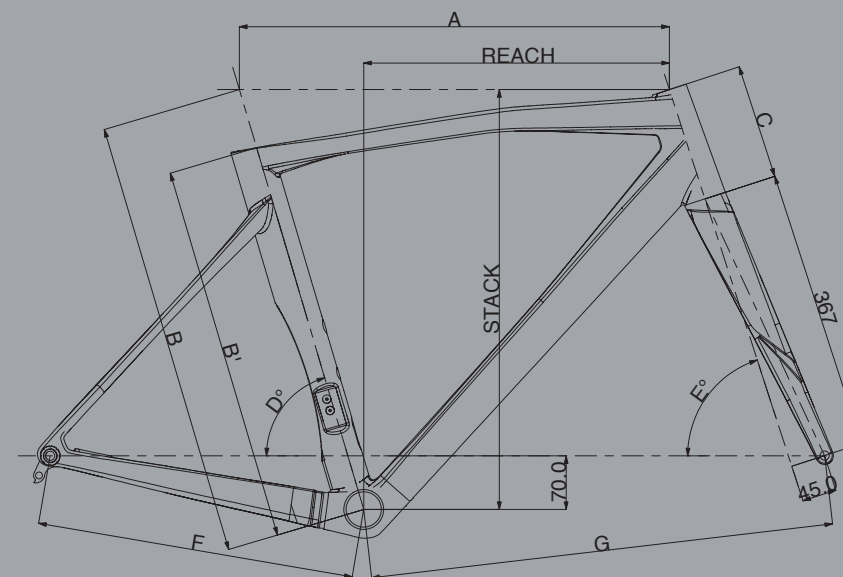


COLOR CUSTOMIZATION



# SCURO 25

<b>Carbon monocoque T700/T800</b>	<b>Frame weight 950 g (size M)</b>	<b>Five sizes S, M, L, XL, XXL</b>	<b>Bottom bracket PF30</b>
<b>Inner cables routing for mechanical and electronic devices</b>	<b>Adjustable aero seatpost weight 235 g</b>	<b>Carbon monocoque EDG DB fork weight 430 g</b>	<b>Tapered headtube 1"1/8 - 1"1/2 with integrated headset SSDIFF83</b>
<b>Compatible hanger FRCDPP12LD</b>	<b>Recommended trough axle item number front fork PP12012 - M12*P1.5*120</b>	<b>Recommended trough axle item number rear PP16512 - M12*P1.5*165</b>	



Refer. design	SIZE				
	S	M	L	XL	XXL
A	520	540	561	575	590
B	535	550	571	601	603
B1	458	472	492	522	540
C	115	130	150	180	200
D	74°	74°	73,5°	73,5°	73°
E	71°	72°	72°	72°	72°
F	413	413	416	416	416
G	572	589	605,5	620	635
REACH	368	388	399	404	408
STACK	511	529	548	576	595



# SCURO<sup>25</sup> BLUE



-  BLUE
-  GREY
-  SILVER
-  BLACK
- GLOSSY FINISH

# SCURO<sup>25</sup> BOB

# SCURO<sup>25</sup> GREEN LIME



- BLACK MATT
  - BLACK GLOSSY
  - RED GLOSSY
- BOB FINISH

- GREEN LIME
  - WHITE
  - BLACK
- GLOSSY FINISH

# SCURO<sup>25</sup> RED

# SCURO<sup>25</sup> ORANGE



- BLACK
  - RED
  - WHITE
- GLOSSY FINISH

- ORANGE
  - GREY
  - SILVER
  - BLACK
- GLOSSY FINISH

# RAN RS



ESSENTIAL, STIFFER THAN EVER, THIS IS THE WEAPON TO  
SPRINT HARD IN THE MOUNTAINS

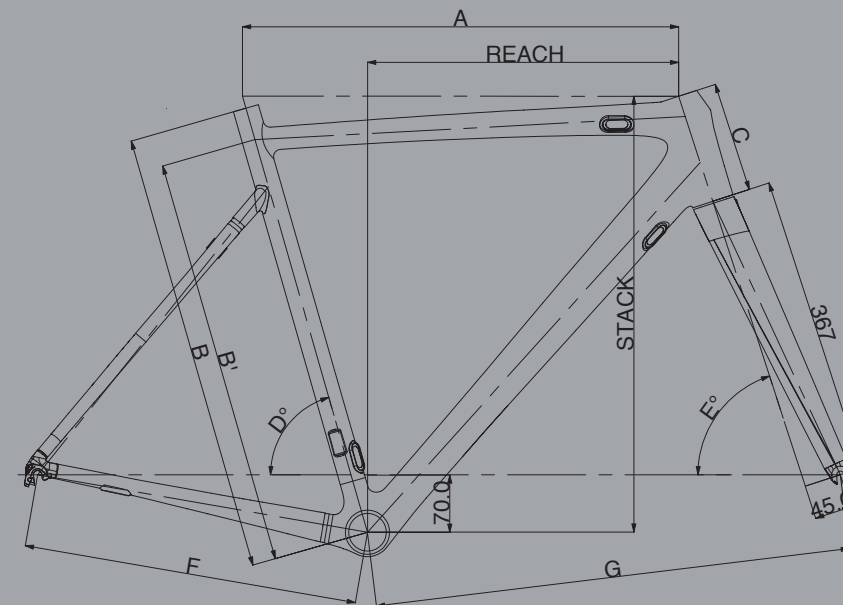


COLOR CUSTOMIZATION



# RAN RS

<b>Carbon monocoque highest modulus mrc mr60/hr40</b>	<b>Frame weight 920 g (size M)</b>	<b>Five sizes XS, S, M, L, XL</b>
<b>Bottom bracket PF30</b>	<b>Inner cables routing for mechanical and electronic devices</b>	<b>Seatpost 27,2 mm</b>
<b>Carbon monocoque K21 fork weight 325 g</b>	<b>Tapered headtube 1"1/8 – 1"1/4 with integrated headset SSDIFF15114</b>	<b>Compatible hanger FRCDINTCCHF13</b>



Refer. design	SIZE				
	XS	S	M	L	XL
A	505	520	535	555	575
B	485	505	540	555	585
B1	440	463	500	515	538
C	106	120	135	155	180
D	75°	74,5°	74°	73,5°	73°
E	71,5°	71,5°	72°	72°	73°
F	407	407	410	410	413
G	567	578	583	598	605
REACH	370	376	381	389	397
STACK	505	518	534	553	580

# RAN RS BLACK GLOSSY



- BLACK
- SILVER
- RED
- GLOSSY FINISH

# RAN RS RED GLOSSY



- RED
- WHITE
- GLOSSY FINISH

# ATLETA

AERO SHAPES AND FLAT GEOMETRY FOR THE MOST DEMANDING ATHLETES



COLOR CUSTOMIZATION

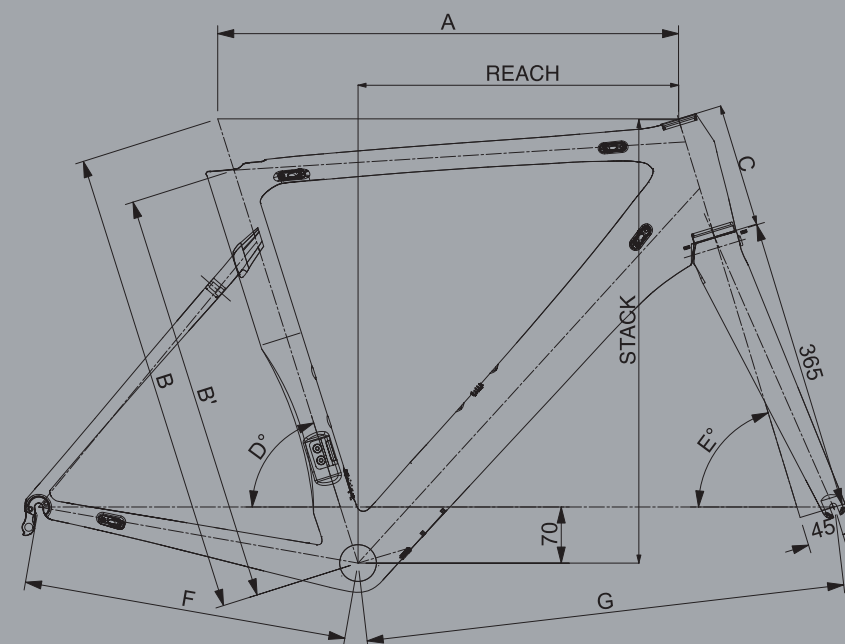






# ATLETA

<b>Carbon monocoque T700 / T800</b>	<b>Frame weight 950 g (size M)</b>	<b>Five sizes XS, S, M, L, XL</b>
<b>Bottom bracket PF30</b>	<b>Inner cables routing for mechanical and electronic devices</b>	<b>Adjustable aero seat post 235 g</b>
<b>Carbon Atleta monocoque fork 370 g</b>	<b>Tapered head tube 1-1/8" - 1-1/2" with integrated headset SSDIFF83</b>	<b>Compatible hanger FRCDINTDR24</b>



Refer. design	SIZE				
	XS	S	M	L	XL
A	525	545	560	575	595
B	518	540	560	581	605
B1	455	475	495	515	535
C	100	115	135	155	175
D	74°	73°	73°	72,5°	72,5°
E	72°	72,5°	73°	73°	74°
F	405	405	405	405	405
G	573	580	590	600	609
REACH	382	386	396	400	413
STACK	498	512	536	555	577

# ATLETA DOUBLE FACE



- BLACK
- BLUE ATLETA
- RED
- GLOSSY FINISH

# ATLETA TEAM REPLICA



MULTICOLOR

GLOSSY FINISH

# ATLETA BOB BLACK



BLACK MATT

BLACK GLOSSY

BOB FINISH

# ATLETA BOB RED

# ATLETA YELLOW



- BLACK MATT
  - BLACK GLOSSY
  - RED GLOSSY
- BOB FINISH

- BLACK
  - YELLOW
- GLOSSY FINISH

# VERTIGINE DB

NEW EDG DISC FORK PUSH YOU TO UNBELIEVABLE LIMITS



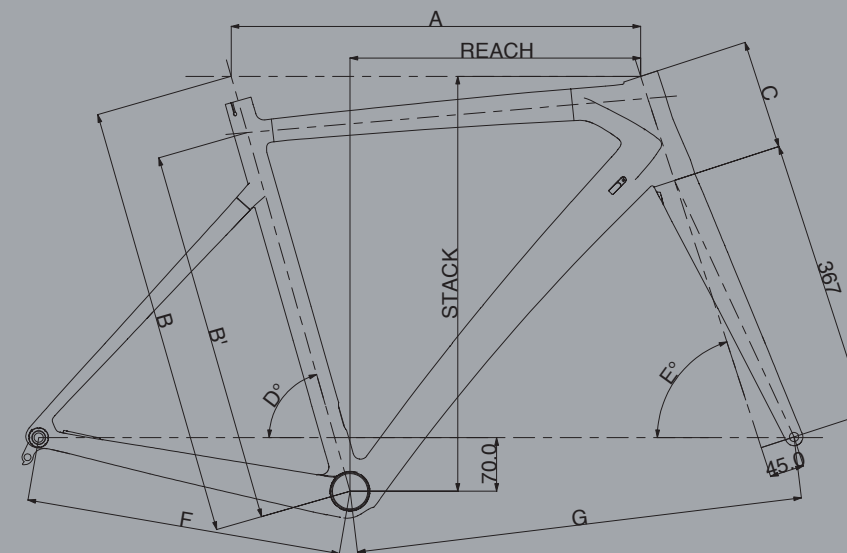
COLOR CUSTOMIZATION





# VERTIGINE DB

<b>Carbon monocoque T700</b>	<b>Frame weight 980 g (size M)</b>	<b>Five sizes XS, S, M, L, XL</b>	<b>Bottom bracket PF30</b>
<b>Inner cables routing for mechanical and electronic devices</b>	<b>Seatpost 31,6 mm</b>	<b>Carbon monocoque EDG DB fork weight 430 g</b>	<b>Tapered head tube 1-1/8" - 1-1/2" with integrated headset SSDIFF83</b>
<b>Compatible hanger FRCDPP12LD</b>	<b>Recommended trough axle item number front fork PP12012 - M12*P1.5*120</b>	<b>Recommended trough axle item number rear PP16512 - M12*P1.5*165</b>	



Refer. design	SIZE				
	XS	S	M	L	XL
A	505	520	535	555	575
B	475	495	530	545	575
B1	435	455	490	505	535
C	115	130	145	165	190
D	75°	74,5°	74°	73,5°	73°
E	71,5°	71,5°	72°	72°	73°
F	413	413	416	416	416
G	567	578	584	600	605
REACH	367	374	379	389	395
STACK	516	526	542	561	588



# VERTIGINE DB GREEN



 GREEN

 BLACK

 WHITE

GLOSSY FINISH

# VERTIGINE DB BOB RED



 RED GLOSSY

 BLACK GLOSSY

 BLACK MATT

BOB FINISH

# VERTIGINE DB BOB BLACK



 RED GLOSSY

 BLACK GLOSSY

 BLACK MATT

BOB FINISH

# VERTIGINE

THE PERFECT MIX OF AERO AND STIFFNESS FOR EVERYONE  
WHO WANTS TO RIDE HARD

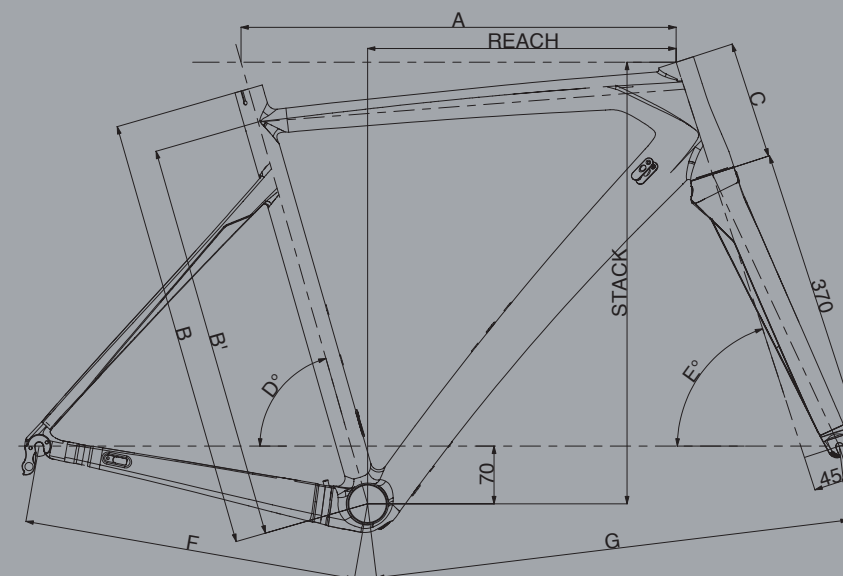


COLOR CUSTOMIZATION



# VERTIGINE

<b>Carbon monocoque T700</b>	<b>Frame weight 980 g (size M)</b>	<b>Five sizes XS, S, M, L, XL</b>
<b>Bottom bracket PF30</b>	<b>Inner cables routing for mechanical and electronic devices</b>	<b>Seatpost 31,6 mm</b>
<b>Carbon monocoque F-24 fork weight 380 g</b>	<b>Tapered headtube 1-1/8" – 1-1/2" with integrated headset SSDIFF83</b>	<b>Compatible hanger FRCDINTDR24</b>



Refer. design	SIZE				
	XS	S	M	L	XL
A	505	520	535	555	575
B	475	495	530	545	575t
B1	435	455	490	505	535
C	115	130	145	165	190
D	75°	74,5°	74°	73,5°	73°
E	71,5°	71,5°	72°	72°	73°
F	407	407	410	410	410
G	567	578	584	600	605
REACH	367	374	379	389	395
STACK	516	526	542	561	588

# VERTIGINE BOB RED

# VERTIGINE ORANGE



- RED GLOSSY
- BLACK GLOSSY
- BLACK MATT
- BOB FINISH

- GREY
- ORANGE
- WHITE
- GLOSSY FINISH

# GLADIATORE 2

COMFORT AND FANTASTIC FEELINGS FOR ALL GRANFONDO LOVERS

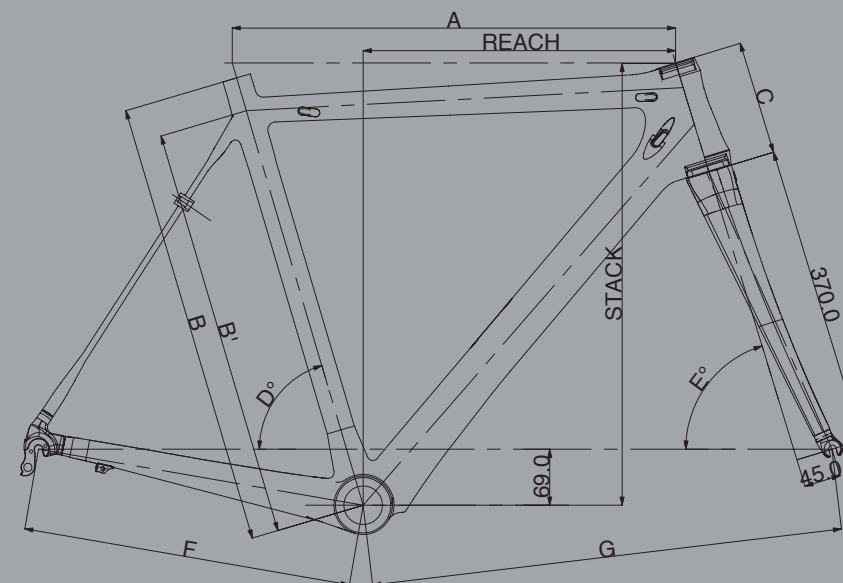


COLOR CUSTOMIZATION



# GLADIATORE 2

<b>Carbon monocoque T700</b>	<b>Frame weight 1.050 g (size M)</b>	<b>Five sizes XS, S, M, L, XL</b>
<b>Bottom bracket BSA</b>	<b>Inner cables routing for mechanical and electronic devices</b>	<b>Seatpost 31,6 mm</b>
<b>Carbon monocoque F-23 fork weight 380 g</b>	<b>Tapered headtube 1"1/8 - 1"1/2 with integrated headset SDR23</b>	<b>Compatible hanger FRCDINTDR24</b>



Refer. design	SIZE				
	XS	S	M	L	XL
A	512	535	545	560	576
B	487	527	547	567	587
B1	439	481	503	525	537
C	115	120	140	155	175
D	74,5°	73,5°	73,5°	73,5°	73,5°
E	72°	73°	73°	73°	73°
F	405	405	405	405	405
G	566	570	580	595	612
REACH	368	380	384	394	406
STACK	519	525	543	558	574



# GLADIATORE 2 BOB BLACK



- BLACK GLOSSY
- BLACK MATT
- GREY MATT
- BOB FINISH

# GLADIATORE 2 BOB RED



- BLACK GLOSSY
- BLACK MATT
- GREY MATT
- RED GLOSSY
- BOB FINISH

# TITANIO<sup>25</sup>

SPECIAL EDITION WITH THE BEST METAL MASTERPIECE EVER



SIZE CUSTOMIZATION

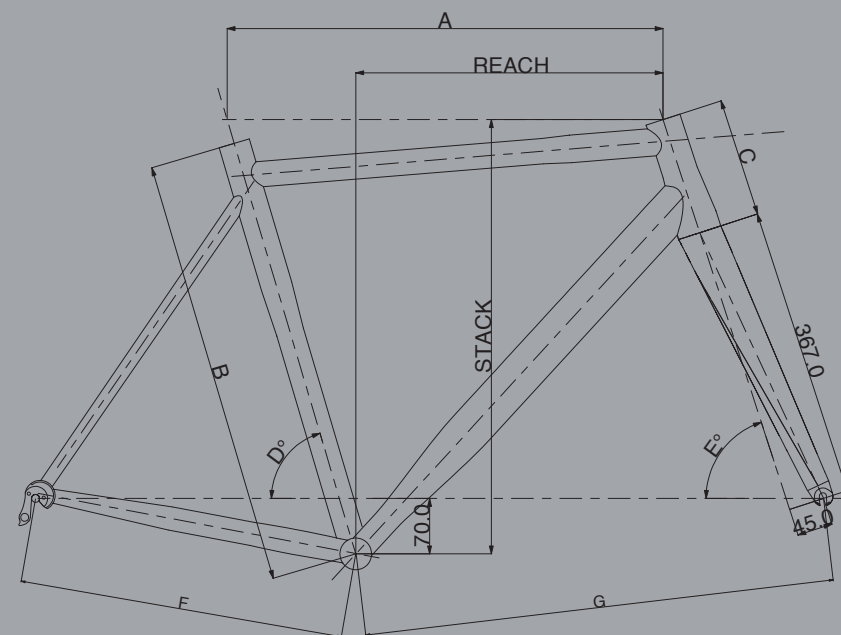


COLOR CUSTOMIZATION



# TITANIO<sup>25</sup>

<b>Dedacciai Titanium 25th anniversary tubeset with front triangle grade 9 and rear triangle grade 2</b>	<b>Weight 1.450 g (size M)</b>	<b>Six sizes XS, S, M, L, XL, XXL</b>
<b>Bottom bracket BSA</b>	<b>External cables routing, Di2/eps compatibility on demand</b>	<b>Seatpost 31,6 mm</b>
<b>Carbon monocoque EDG fork weight 350 g</b>	<b>Tapered headtube 1"1/8 – 1"1/2 with integrated headset SSDIFF83</b>	<b>Compatible hanger FRCDINTTIT2</b>



Refer. design	SIZE					
	XS	S	M	L	XL	XXL
A	500	515	540	555	570	585
B	470	490	520	540	560	580
C	115	125	150	165	185	200
D	74°	74°	73,5°	73,5°	73,5°	73,5°
E	71,5°	72°	72°	72°	72°	72°
F	407	407	410	410	413	413
G	553	564	585	600	615	631
REACH	353	365	378	388	397	408
STACK	513	524	548	562	581	596

# TITANIO<sup>25</sup> MATT



- TITANIUM
- RED GLOSSY
- BLACK GLOSSY

# ACCIAIO ZERO<sup>25</sup>

OUR HISTORY GOES FURTHER WITH THIS STATE OF THE ART FRAME



SIZE CUSTOMIZATION

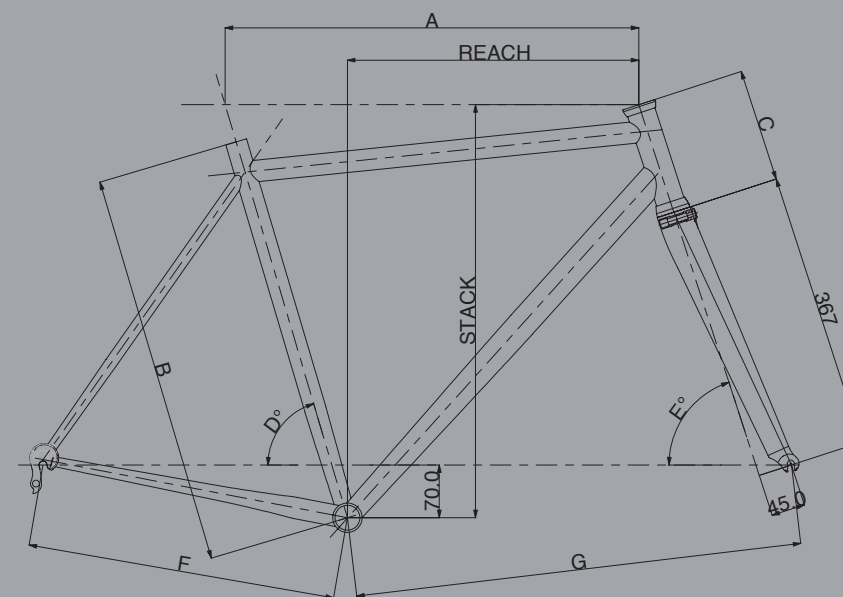


COLOR CUSTOMIZATION



# ACCIAIO ZERO<sup>25</sup>

<b>Dedacciai Steel 25th anniversary tubeset</b>	<b>Frame weight 1.550 g (size M)</b>	<b>Six sizes XS, S, M, L, XL, XXL</b>
<b>Bottom bracket BSA</b>	<b>Inner cables routing, Di2/ eps compatibility on demand</b>	<b>Seatpost 27,2 mm</b>
<b>Carbon monocoque F-14 fork weight 320 g</b>	<b>Tapered headtube 1"1/8 - 1"1/2 with integrated headset SSDIFF83</b>	



Refer. design	SIZE					
	XS	S	M	L	XL	XXL
A	500	515	540	555	570	585
B	470	490	520	540	560	580
C	115	125	150	165	185	200
D	74°	74°	73.5°	73.5°	73.5°	73.5°
E	71.5°	72°	72°	72°	72°	72°
F	407	407	410	410	413	413
G	553	564	585	600	615	631
REACH	353	365	378	388	397	408
STACK	513	524	548	562	581	596



# ACCIAIO ZERO<sup>25</sup>



- BLACK GLOSSY
- RED GLOSSY
- SILVER GLOSSY
- GLOSSY FINISH

# FLASH 2

RUN FAST AND ENJOY YOURSELF WITH THIS TT AND TRIATHLON FRAME KIT



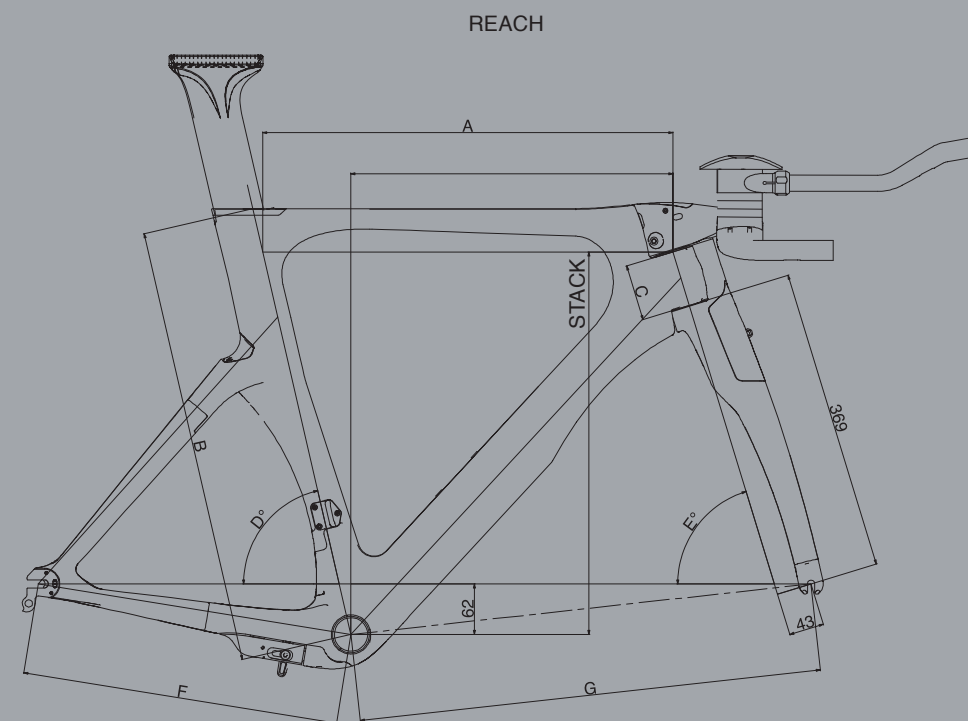
COLOR CUSTOMIZATION





# FLASH 2

<b>Carbon monocoque highest modulus MRC MR60</b>	<b>Frame weight 1.200 g (size M)</b>	<b>Four sizes S, M, L, XL</b>	<b>Bottom bracket BB86</b>
<b>Inner cables routing for mechanical and electronic devices</b>	<b>Adjustable aero seat post SP07</b>	<b>integrated Deda carbon handlebar with aerobar HB-08</b>	<b>Integrated cantilever brakes with carbon fairing</b>
<b>Carbon monocoque F-49 fork weight 590 g</b>	<b>Headtube 1-1/8" with integrated headset</b>		



Refer. design	SIZE			
	S	M	L	XL
A	486	502	523	545
B	510	535	555	574
C	54	70	90	110
D	77°	77°	77°	77°
E	72°	73°	73°	73°
F	388	388	388	388
G	557	567	590	614
REACH	382	392	411	430
STACK	452	470	489	508

# FLASH 2



- BLACK GLOSSY
- ORANGE RACING
- BOB FINISH

# SUPER CROSS DB

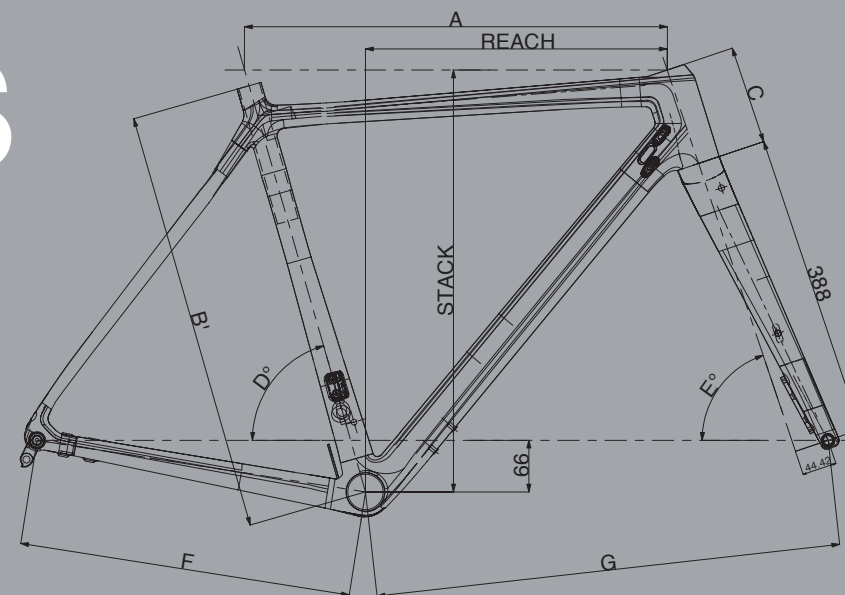
WHATEVER IS A RACE OR A TRAINING YOU'LL LOVE IT AND YOU CAN'T STOP RIDING



COLOR CUSTOMIZATION



# SUPER CROSS DB

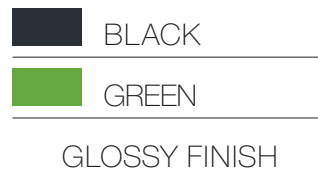


<b>Carbon monocoque highest modulus MRC MR 60</b>	<b>weight 1.050 g (size M)</b>	<b>Six sizes XS, S, M, L, XL, XXL</b>	<b>Bottom bracket BB86</b>
<b>Inner cables routing for mechanical and electronic devices</b>	<b>Seatpost 27,2 mm</b>	<b>Tapered headtube 1-1/8" - 1-1/2" with integrated headset SSDIFF83</b>	<b>Carbon monocoque PP12012 fork weight 450 g</b>
<b>Compatible hanger FRCDPP12GTC</b>	<b>Recommended trough axle item number front fork PP12512 - M12*P1.5*125</b>	<b>Recommended trough axle item number rear PP16512 - M12*P1.5*165</b>	

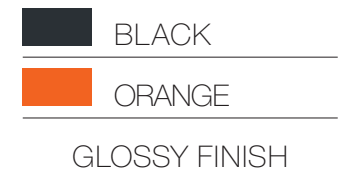
Refer. design	SIZE					
	XS	S	M	L	XL	XXL
A	500	520	540	555	570	590
B1	500	520	540	560	580	610
C	110	110	125	140	150	180
D	75°	74,5°	74	73,5°	73°	73°
E	70°	71°	71,5°	72	72,5°	72,5°
F	425	425	425	425	425	425
G	577	582	595	600	605	625
REACH	360	375	386	391	397	406
STACK	519	522	539	554	566	603



# SUPER CROSS DB GREEN



# SUPER CROSS DB ORANGE



## Performance chart of each frame. Score range from 6 to 10.

	PRO RACE	ENDURANCE	MARATHON	TRAINING	TIME TRIAL	MOUNTAIN TT
SCURO25	10	9	9	9	8	8
RAN RS	10	8	8	8	7	10
ATLETA	10	8	8	8	9	7
VERTIGINE DB	9	8	8	8	-	8
VERTIGINE	9	8	8	8	-	8
GLADIATORE 2	8	9	9	9	-	7
TITANIO25	7	10	10	10	-	8
ACCIAIO25	7	10	10	10	-	7
FLASH 2	10	-	-	8	10	7
SUPERCROSS DB	9	9	9	9	-	-

THE INFORMATION AND PICTURES CONTAINED IN THIS CATALOGUE ARE VALID AT TIME OF PRINTING. DEDACCIAI SRL RESERVES THE RIGHT TO MODIFY THE CONTENT AND APPEARANCE OF PRODUCTS IN THE CATALOGUE. DEDACCIAI LOGO AND PRODUCTS ARE OWNED BY DEDACCIAI SRL, ANY UNAUTHORIZED USE THEREOF IS PUNISHABLE BY LAW.



**STRADE**  
**Dedacciai18**  
THE RACING TECHNOLOGY



Via Leonardo da Vinci, 19  
26010 Campagnola Cremasca (CR) - Italy  
Tel. +39 0373 74 499  
Fax +39 0373 750 029  
[www.dedacciaistrada.com](http://www.dedacciaistrada.com)

